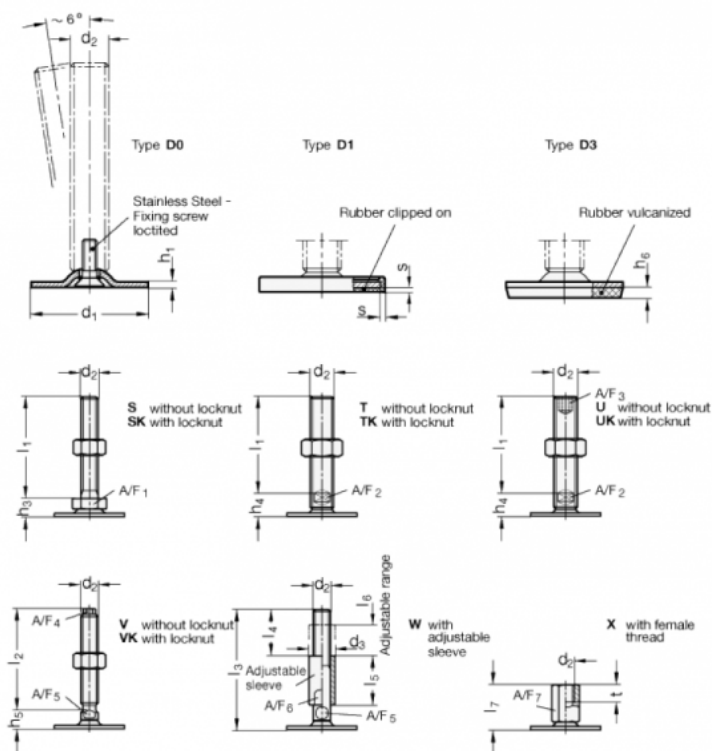


Article number: 204150M825D1X  
 Description: E+G levelling foot  
 GN 41-50-M8-25-D1-X  
 Note: X With female thread, External hexagon

## Measures



- A/F7 = 14
- d1 = 50
- d2 = M8
- h1 = 2.5
- h6 =
- h7 = 25
- s = 2
- t = 8